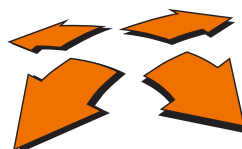


Straw Applicator



A GALDI COMPANY

ARTEMA PACK
packaging & automation

Straw Applicator AP-AC-750



FAST INSTALLATION

The straw applicator is designed to be ready to run, thanks to a simplified start-up procedure.

HIGH CAPACITY

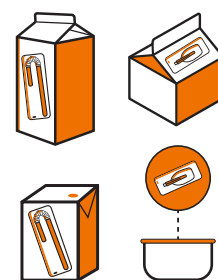
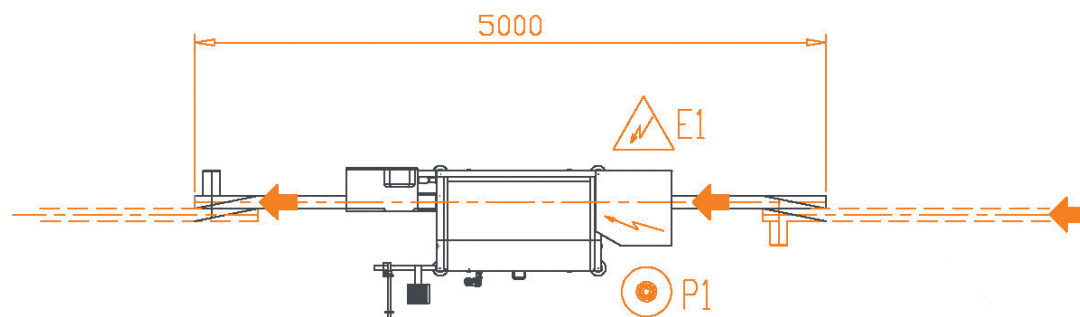
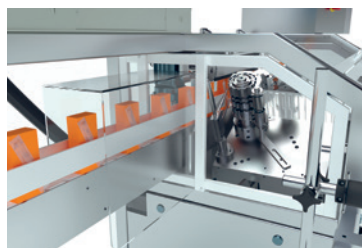
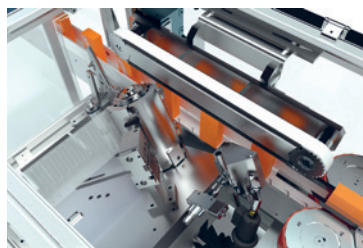
Output ranges from 10k p/h up to 18k p/h in the high-speed version. Up to four application heads can be installed on a single machine.

SUSTAINABILITY

The system, handling both paper and compostable plastic straws, can be combined with sustainable primary and secondary packaging solutions: a nice add-on to your green offering.

ADAPTIVE LAYOUT

Thanks to its design, the machine can adapt to any type of layout and production site.



TECHNICAL FEATURES

DIMENSIONS (mm)	INFEEED HEIGHT FROM GROUND LEVEL (mm)	OUTFEEED HEIGHT FROM GROUND LEVEL (mm)	CONSUMPTION	WEIGHT (Kg)	CAPACITY	COMPRESSED AIR
2585x800x1050	900	900	10kW-400V-25A	800	10k straw/h 18k straw/h	150nl/min. - 6 bar