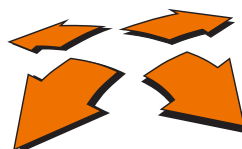


Straw Applicator



A GALDI COMPANY

ARTEMA PACK
packaging & automation

Straw Applicator AP-AC-750



FAST INSTALLATION

The straw applicator is designed to be ready to run, thanks to a simplified start-up procedure.

HIGH CAPACITY

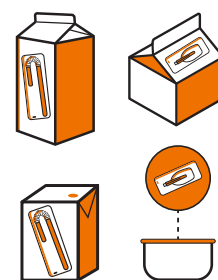
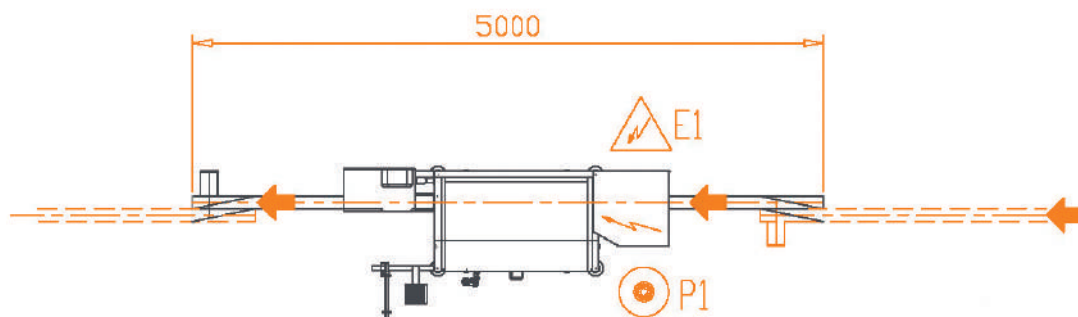
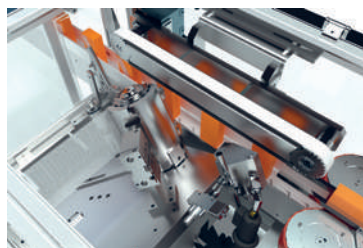
Output ranges from 10k p/h up to 18k p/h in the high-speed version. Up to four application heads can be installed on a single machine.

SUSTAINABILITY

The system, handling both paper and compostable plastic straws, can be combined with sustainable primary and secondary packaging solutions: a nice add-on to your green offering.

ADAPTIVE LAYOUT

Thanks to its design, the machine can adapt to any type of layout and production site.



TECHNICAL FEATURES

DIMENSIONS (mm)	INFEED HEIGHT FROM GROUND LEVEL (mm)	OUTFEED HEIGHT FROM GROUND LEVEL (mm)	INSTALLED POWER AND AVERAGE CONSUMPTION	WEIGHT (Kg)	CAPACITY	COMPRESSED AIR
2585x800x1050	900	900	12kW-400V Average 5kW	800	Up to 18.000 straw/h	150 nl/min. - 6 bar